

APPROVED BY EASA UNDER APPROVAL NUMBER 10038169

8.4 KEVLAR FLYING CABLES

8.4.1 GENERAL INFORMATION

This supplement shall be inserted in the Flight Manual, in Section 8: 'Supplements' with the revisions record sheet amended accordingly.

Information contained herein supplements, or in the case of conflict, supersedes that contained in the basic Flight Manual. For Limitations, Procedures, and Performance Data not contained in this supplement, consult the basic Hot Air Balloon Flight Manual.

Issue 2 of this supplement consists of two pages.

Supplement 7.4 (four pages) to Maintenance Manual Issue 10 is required to ensure continued airworthiness.

8.4.2 LIMITATIONS

No change.

8.4.3 EMERGENCY PROCEDURES

No change.

8.4.4 NORMAL PROCEDURES

8.4.2.4 Kevlar Flying Cables

Prior to each inflation each Kevlar flying cable (if fitted) must be inspected.

The cables must be replaced if the creamy yellow core is exposed or damaged, or if the flexibility of the polyester cover is noticeably reduced.

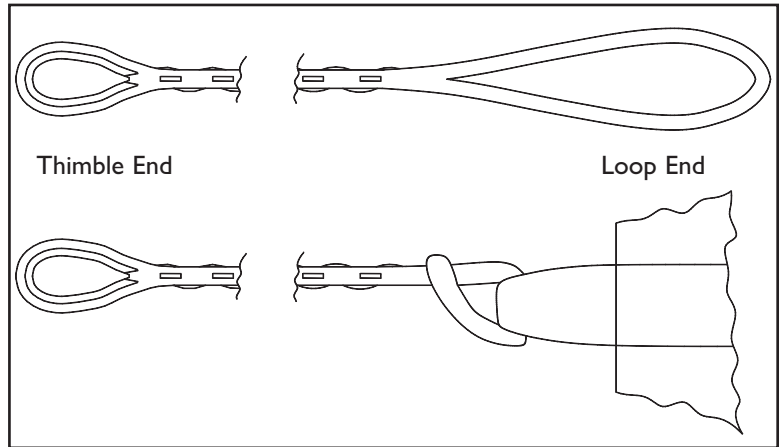
Any cable that is damaged during the inflation must be replaced before take-off.

8.4.2.4.1 Kevlar Flying Cables-Replacement

The Kevlar flying cable has a 90 mm loop spliced into the envelope end of the cable and a metal thimble spliced into the other. The metal thimble end attaches to a karabiner at the load frame.

Remove the existing flying cable by loosening the cable where it passes back through its end loop at the mouth of the envelope.

1. Insert the loop end of the new flying cable through the vertical load tape loop(s).
2. Pass the thimble end of the cable through the loop end and pull tight.
3. Arrange the vertical load tape loop(s) and Kevlar cable so that load is evenly spread through the joint. Pass the thimble end of the cable through the webbing protector.



▲ Installation Of Kevlar Flying Cables

8.4.3 INFLATION

Pre-Inflation Checklist

Rigging Kevlar flying cables checked.

8.4.5 WEIGHT CALCULATIONS

No change.

8.4.6 BALLOON AND SYSTEMS DESCRIPTION

8.4.6.1 Kevlar Flying Cables

Kevlar flying cables are designed for simple replacement without tools.

8.4.7 BALLOON MAINTENANCE, HANDLING AND CARE

No change.

8.4.9 EQUIPMENT LIST

No change.