

**Approved by EASA under Approval Number EASA.BA.A.01000
on
10 April 2006**

8.20 BASKET TOWING PLATES

8.20.1 GENERAL INFORMATION

This supplement was originally approved by EASA as Supplement 28 to Flight Manual, Issue 9 under Approval Number 2004-6292 on 18 June 2004.

Issue 1 of this supplement has two pages.

Supplement 7.20 (two pages) to Maintenance Manual Issue 10 is required to ensure continued airworthiness.

8.20.2 LIMITATIONS

No change.

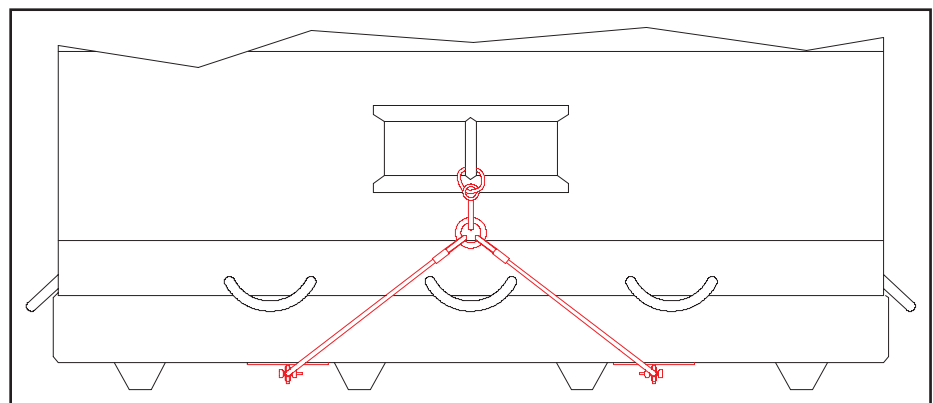
8.20.3 EMERGENCY PROCEDURES

No change.

8.20.4 NORMAL PROCEDURES

8.20.4.3.2 Basket Rigging

Ensure that the towing strop or rope is firmly attached to the towing plates and is tightly attached to the securing clip.



▲ Towing Strop Correctly Secured

8.20.4.4 INFLATION

8.20.4.4.1 Cold Inflation

Pre-Inflation Checks

Basket Towing strop correctly secured to basket (section 8.20.4.3.2).

8.20.5 WEIGHT CALCULATIONS

No change.

8.20.6 BALLOON AND SYSTEMS DESCRIPTION

No change.

8.20.7 BALLOON MAINTENANCE, HANDLING AND CARE

8.20.7.4 Transportation

If the basket is to be towed or winched, the towing plates must be used.

Before use, check that all the shackles and karabiners are correctly attached.

Caution - Avoid shock-loading the basket.

8.20.9 EQUIPMENT LIST

No change.

7.20 BASKET TOWING PLATES

7.20.1 GENERAL

No change.

7.20.2 ENVELOPE REPAIRS

No change.

7.20.3 BASKET REPAIRS

No change.

7.20.4 FUEL SYSTEM REPAIRS

No change.

7.20.5 INSTRUMENT REPAIRS

No change.

7.20.6 INSPECTION SCHEDULE

7.20.6.15 BASKET

II.	Check basket towing plates are secure and free from wear.	
-----	---	--

7.20.6.16 ANCILLARY EQUIPMENT

4.	Basket towing strops- Check karabiners, shackles and securing clip for damage and correct operation. Check rope or wire strop for damage.	
----	--	--

7.20.6.17.4 Basket

Basket towing plates- On solid floor baskets, check the bolts for tightness and the floor around the plates for damage. On woven floor baskets, check the bolts for tightness and the condition of the runners and weave around the plates.